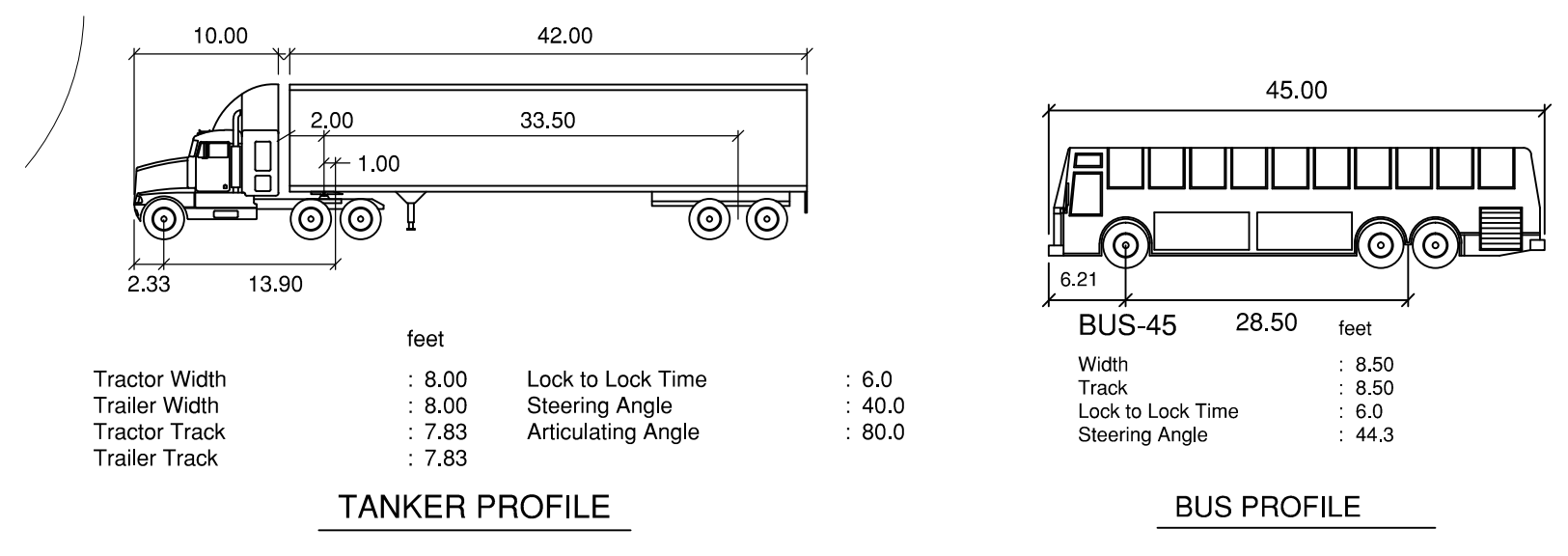


VEHICLE TURNING MOVEMENT PLAN



ZONING INFORMATION			
ZONE:	REQUIRED	EXISTING	PROPOSED
LOT AREA	10,000 SF (MIN)	40,022 SF	40,022 SF
LOT WIDTH	50 FT	200 FT	200 FT
FRONT YARD	20 FT	20 FT	20 FT
SIDE YARD	10 FT	10 FT	54.56 FT
REAR YARD	20 FT	20 FT	66.56 FT
LOT COVERAGE	25%	4.23% (1)	11.8% (1)
HEIGHT	3 STORIES	1 STORIES	1 STORIES
REQUIRED PARKING			
RETAIL - 1 SPACE / 200 SF	14	-	-
GASOLINE STATION	5 MIN.	-	-
TOTAL	19 SPACES	UNKNOWN	20 SPACES

(1) - LOT COVERAGE INCLUDES PUMP CANOPY

